

**Kol. Opis****1 MAGNA1 65-80 F**

Paznja! Slika proizvoda se može razlikovati od stvarnog proizvoda

Proizvodni broj: [99221372](#)

The new MAGNA1 is the simple option for a job well done. It is the perfect choice when replacing older circulators and due to its compliance with the EuP 2015 regulations, substantial savings on electricity is a reality. The ideal choice for basic performance needs in applications where basic system control and monitoring is desired.

- Monitoring via the fault relay, ensuring peace of mind
- Digital start/stop input available for remote pump control
- Continuous operation and reduced downtime with the wireless twin pump function (available on twin-head pumps)
- High energy efficiency resulting in substantial savings on electricity
- Easy setup and operation via the simple user interface
- No maintenance due to the canned-rotor type design.

MAGNA1 is the simple and efficient choice for most applications including

- Heating
  - Main pump
  - Mixing loops
  - Heating surfaces
- Cooling
  - Air conditioning surfaces
  - Ground source heat pump systems
  - Smaller chiller applications

**Te nost:**

Dizana te nost: voda  
Raspon temperature te nosti: 263 .. 383 K  
Selected liquid temperature: 333 K  
Gustina: 983.2 kg/m<sup>3</sup>

**Tehni ki:**

TF klasa: 110  
Saglasnosti na natpisnoj plo ici: CE,VDE,EAC,CN ROHS,WEEE

**Materijali:**

Ku ište pumpe: Liveno gvož e  
EN-GJL-250  
ASTM A48-250B  
Rotor: PES 30%GF

**Ugradnja:**

Opseg temperature okruženja: 273 .. 313 K  
Maksimalni radni pritisak: 1000 kPa  
Standardna priрубnica: DIN  
Spajanje pumpe: DN 65  
Nazivni pritisak: PN6/10  
Dužina ugra ivanja: 340 mm

**Kol. Opis**

**Elektri ni podaci:**

Potrebna snaga - P1: 24.17 .. 476 W

Frekvencija struje: 50 / 60 Hz

Potrebni napon: 1 x 230 V

Maksimalna strujna potrošnja: 0.26 .. 2.11 A

Klasa zaštite (IEC 34-5): X4D

Klasa izolacije (IEC 85): F

**Ostali:**

Energy (EEI): 0.20

Neto masa: 21.8 kg

Bruto masa: 23.7 kg

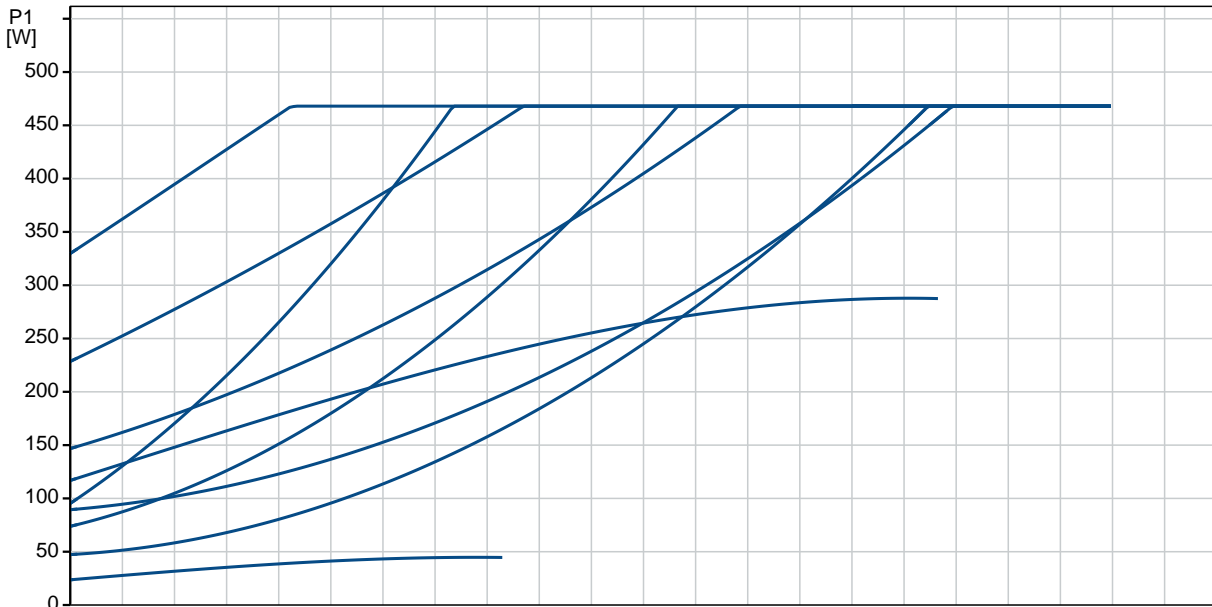
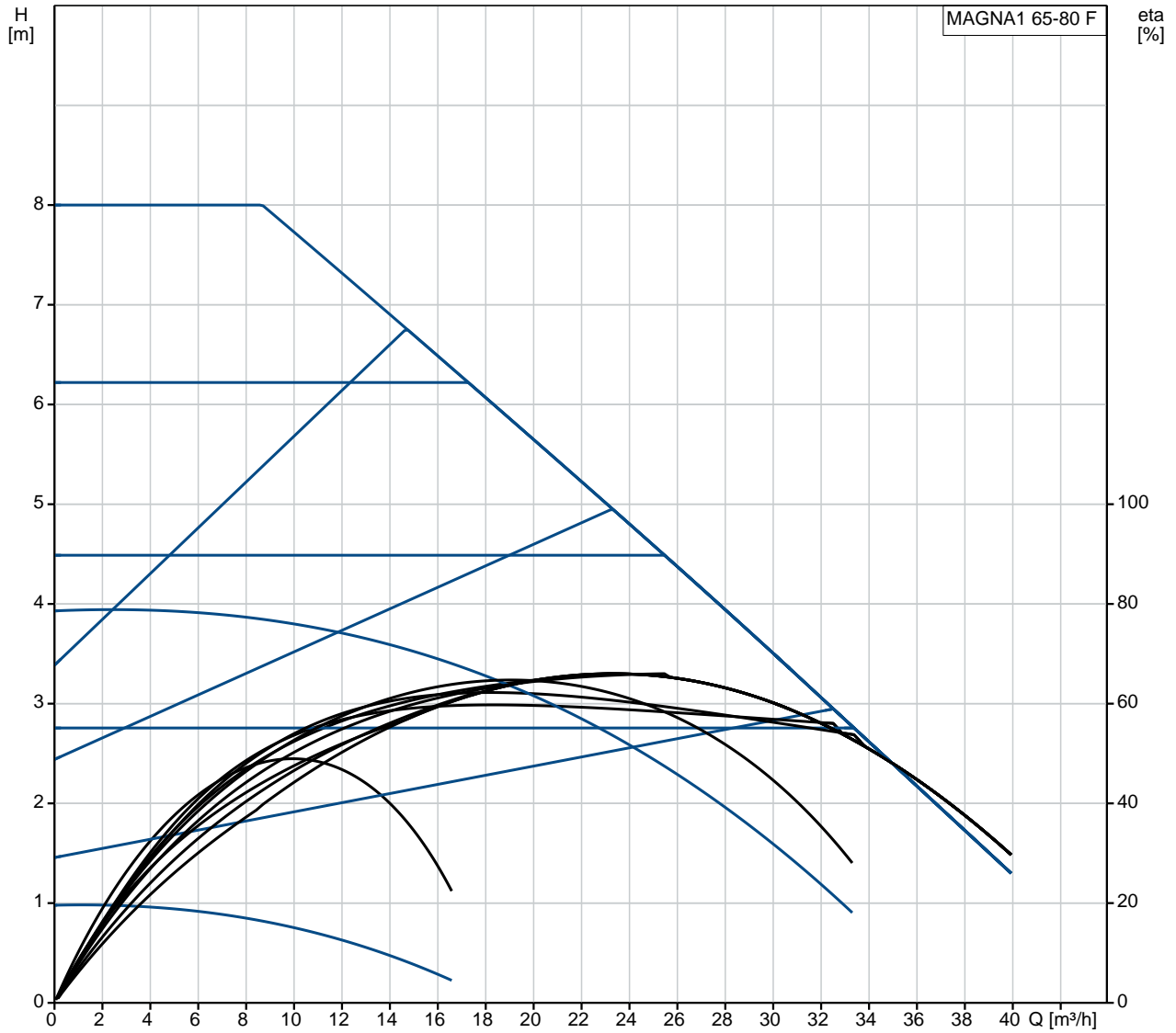
Shipping volume: 0.057 m<sup>3</sup>

Finnish LVI No.: 4615200

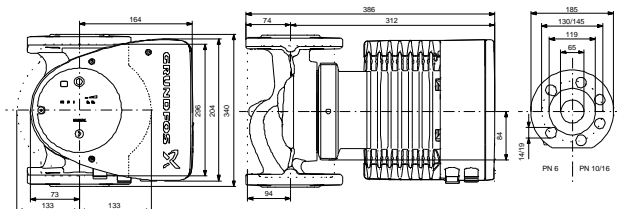
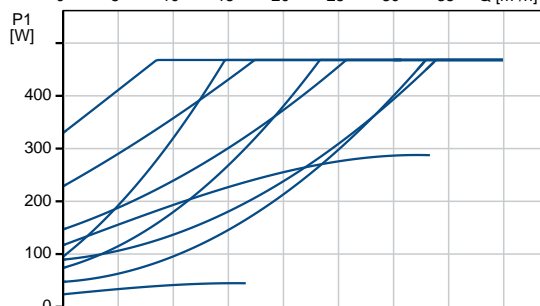
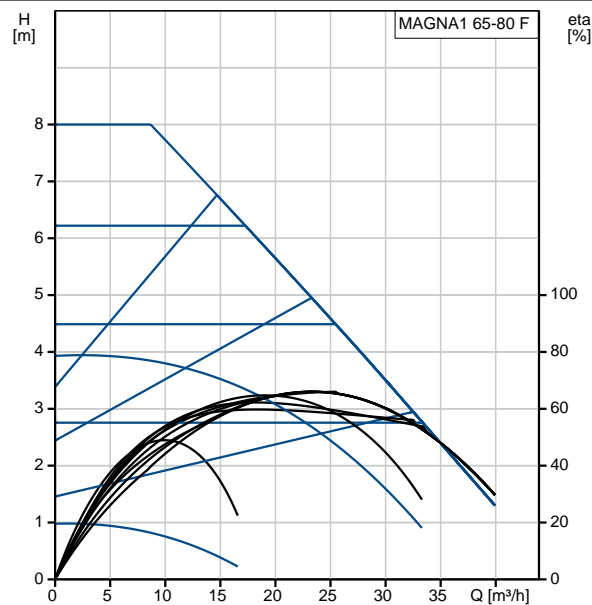
Country of origin: DE

Custom tariff no.: 84137030

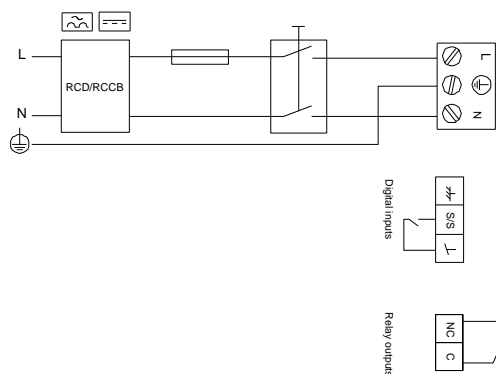
## 99221372 MAGNA1 65-80 F



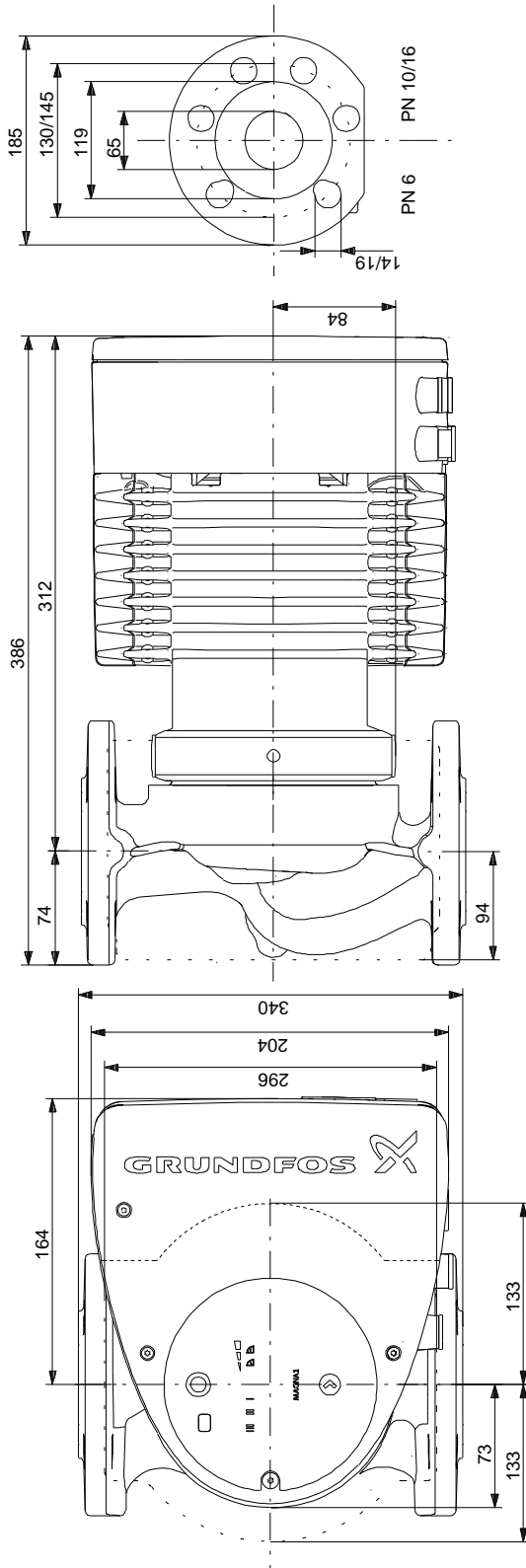
Opis	Vrednost
<b>Opšte informacije:</b>	
Ime proizvoda::	MAGNA1 65-80 F
Šifra proizvoda:	99221372
EAN broj::	5712608943447
	5712608943447
Cena:	1.533,55 €
<b>Tehni ki:</b>	
Visina max.:	8 m
TF klasa:	110
Saglasnosti na natpisnoj plo ici:	CE,VDE,EAC,CN ROHS,WEEE
Model:	C
<b>Materijali:</b>	
Ku ište pumpe:	Liveño gvož e EN-GJL-250 ASTM A48-250B
Rotor:	PES 30%GF
<b>Ugradnja:</b>	
Opseg temperature okruženja:	273 .. 313 K
Maksimalni radni pritisak:	1000 kPa
Standardna priрубnica:	DIN
Spajanje pumpe:	DN 65
Nazivni pritisak:	PN6/10
Dužina ugra ivanja:	340 mm
<b>Te nost:</b>	
Dizana te nost:	voda
Raspon temperature te nosti:	263 .. 383 K
Selected liquid temperature:	333 K
Gustina:	983.2 kg/m <sup>3</sup>
<b>Elektri ni podaci:</b>	
Potrebna snaga - P1:	24.17 .. 476 W
Frekvencija struje:	50 / 60 Hz
Potrebni napon:	1 x 230 V
Maksimalna strujna potrošnja:	0.26 .. 2.11 A
Klasa zaštite (IEC 34-5):	X4D
Klasa izolacije (IEC 85):	F
<b>Ostali:</b>	
Energy (EEI):	0.20
Neto masa:	21.8 kg
Bruto masa:	23.7 kg
Shipping volume:	0.057 m <sup>3</sup>
Finnish LVI No.:	4615200
Country of origin:	DE
Custom tariff no.:	84137030



Example of mains-connected motor with mains switch, backup fuse and additional protection



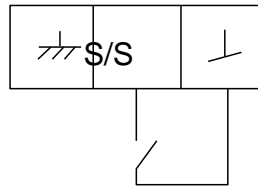
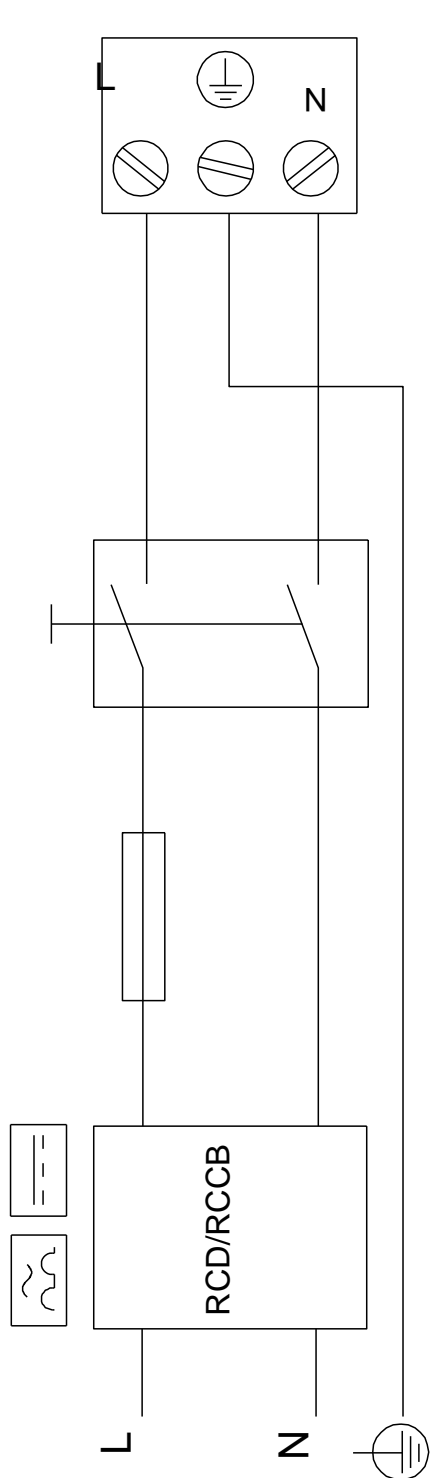
## 99221372 MAGNA1 65-80 F



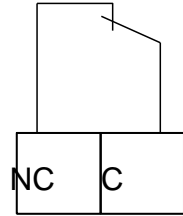
Napomena! Sve jedinice su u [mm]ukoliko druga nije navedeno.  
Upozorenje: Ovaj pojednostavljeni dimenzioni crtež ne pokazuje sve detalje.

## 99221372 MAGNA1 65-80 F

Example of mains-connected motor  
with mains switch, backup fuse and additional protection



Digital inputs



Relay outputs

Pažnja! Sve jedinice su u [mm] ukoliko nije re eno druga ije.